

Type CEB

Fast Acting Ceramic Tube Fuses Series



Description

CEB Fast-Acting type, 125V/250V/350V/500V rated designed In accordance to UL 248-1/UL 248-14.

Features

- Lead-free
- Internationally approved
- Reduced PCB space requirements
- Direct solderable or plug-in versions
- Low internal resistance
- Shock safe casing
- Vibration resistant
- Halogen free

Applications

- Power supplies
- Battery Chargers
- Consumer Electronics
- Industrial Controllers

Agency Approvals.

Safety Agency	Agency File Number	Ampere Range Volt@I.R.ABILITY
	E485357	100mA-25A 125VAC@1000A 100mA-10A 250VAC@1500A 100mA-25A 250VDC@300A 100mA-25A 350VAC DC@300A 100mA-25A 500VAC DC@300A

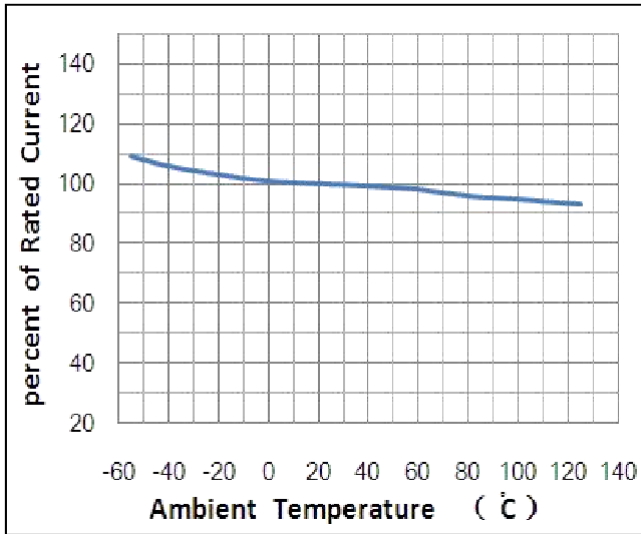
Electrical Characteristics for Series

% of Ampere Rating	Opening Time
100%	4 Hour, Min
200%	2min,Max

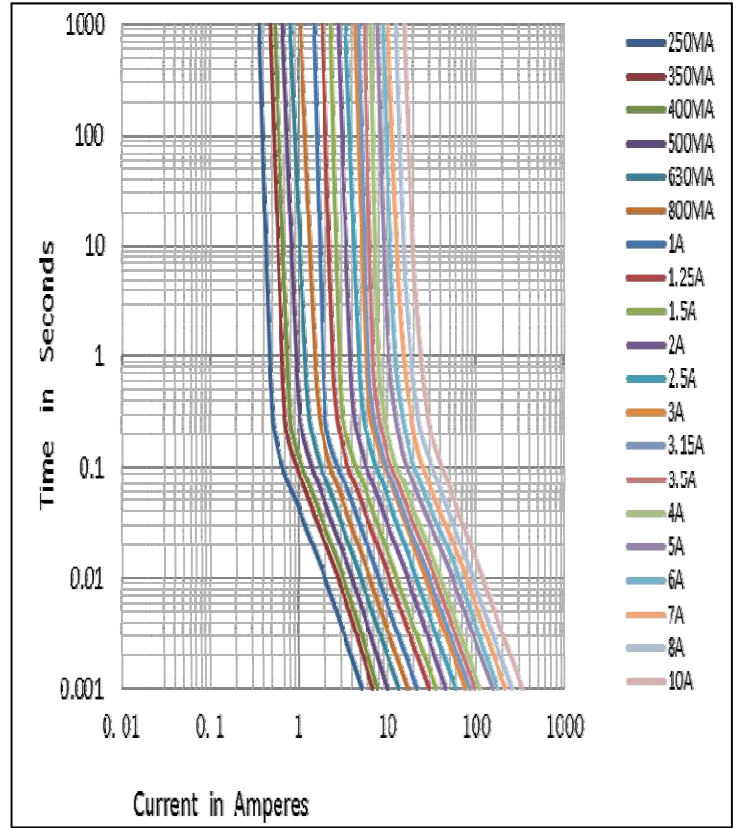
Electrical Characteristic Specifications by Item

Catalog Number	Rated Current	Voltage Rating	Breaking Capacity	Melting Integral 10In min(A ² S)	Agency Approvals
					cULus
CEB0250	250mA	125Vac 250Vac 250Vdc 350Vac 350Vdc 500Vac 500Vdc	125Vac@10kA 250Vac@1500A 250Vdc@300A 350Vac@300A 350Vdc@300A 500Vac@300A 500Vdc@300A	0.0375	•
CEB0350	350mA			0.0735	•
CEB0400	400mA			0.0960	•
CEB0500	500mA			0.1500	•
CEB0630	630mA			0.2381	•
CEB0800	800mA			0.3776	•
CEB1100	1A			0.6000	•
CEB1125	1.25A			1.0937	•
CEB1150	1.5A			1.5750	•
CEB1200	2A			2.8000	•
CEB1250	2.5A			4.3750	•
CEB1315	3.15A			8.9302	•
CEB1400	4A			16.0000	•
CEB1500	5A			30.0000	•
CEB1630	6.3A			43.2000	•
CEB1700	7A			63.7000	•
CEB1800	8A			89.6000	•
CEB2100	10A			150.000	•

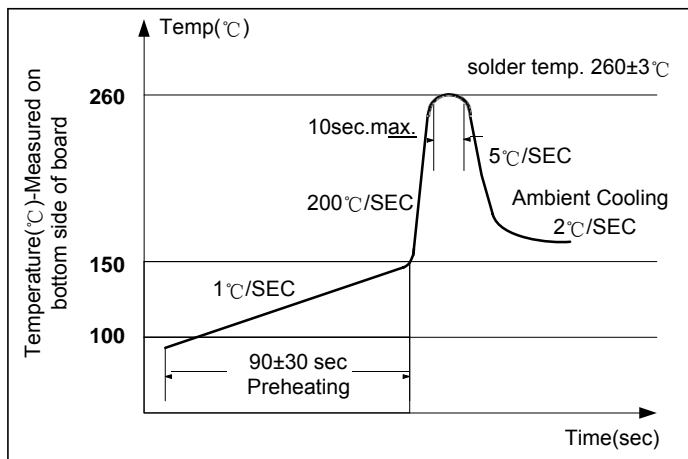
Temperature Re-rating Curve



Average Time Current Curves



Soldering Parameters-Wave Soldering



Recommended Process Parameters:

Lead-Free Wave Soldering Profile	
Wave Soldering Parameter	
Average ramp-up rate	200 °C/second
Heating rate during preheat	Typical 1-2 °C/second Max 4 °C/second
Final preheat temperature	Within 125 °C of soldering temperature
Peak temperature Tp	260 °C
Time within +0 °C/-5 °C of actual peak temperature	10 seconds
Ramp-down rate	5 °C/second max

Type CEB

Fast Acting Ceramic Tube Fuses Series

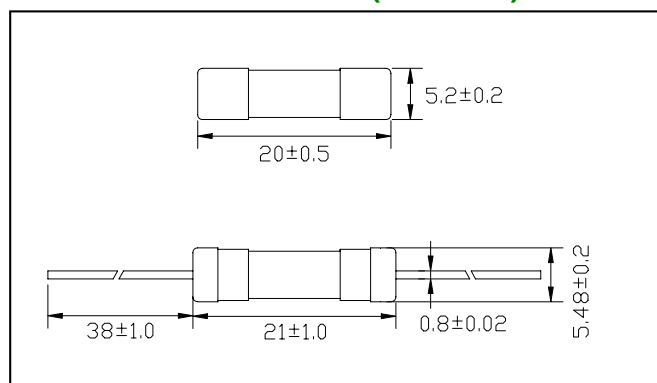


Product Characteristics

Materials	Ceramic Body Nickel Plated Brass Caps Lead Wire:Diameter 0.6mm
Lead Pull Strength	10 N(IEC 60068-2-21)
Solderability	260 °C, ≤3 sec.(wave) 350 °C, ≤3 sec.(soldering iron)
Soldering Heat Resistance	260 °C, 10 sec.(IEC 60068-2-20) 350 °C, ≤3 sec.(soldering iron)

Operating Temperature	-55 °C to +125 °C (consider de-rating)
Climatic Category	-40 °C to +85 °C/21 days (EN 60068-1, -2-1, -2-2, -2-78)
Stock Condition	+10 °C to +60 °C Relative humidity ≤75% yearly Average, without dew, maximum Value for 30 days -95%
Vibration Resistance	24 cycles at 15 min. each (EN 60068-2-6) 10-60 Hz at 0.75 mm amplitude 60-2000 Hz at 10 g acceleration

Mechanical Dimensions(Unit:mm)



Ordering Information

FUSE TYPE CEB	CEB	2100	3	01
AMPERE RATING 10A(10 ² x100mA)				
VOLTAGE RATING 1:125V 2:250V 3:350V 5:500V				
COMPLEMENT 00:Standard 01:Axial Lead				

Packaging

Packaging Option	Packaging Specification	Quantity
Standard(00)	N / A	500
Axial Lead(01)	N / A	100